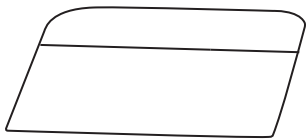


FORD F150

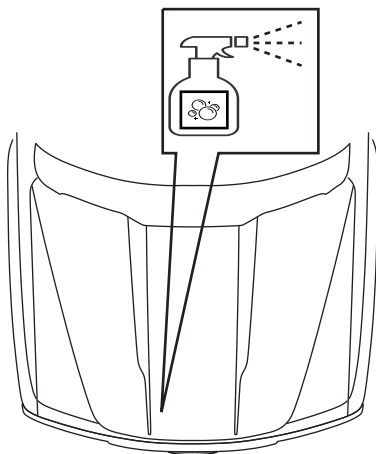
VRL3Z-212000-A, VRL3Z-212000-B PAINT PROTECTION FILM INSTALLATION



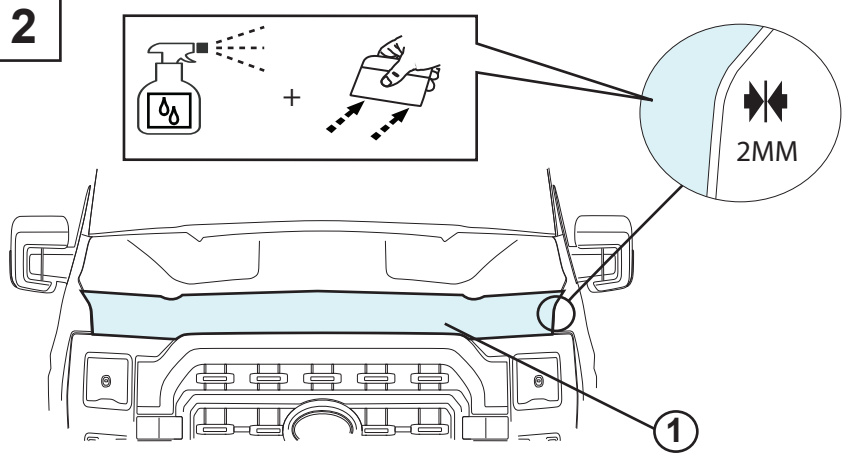
H₂O



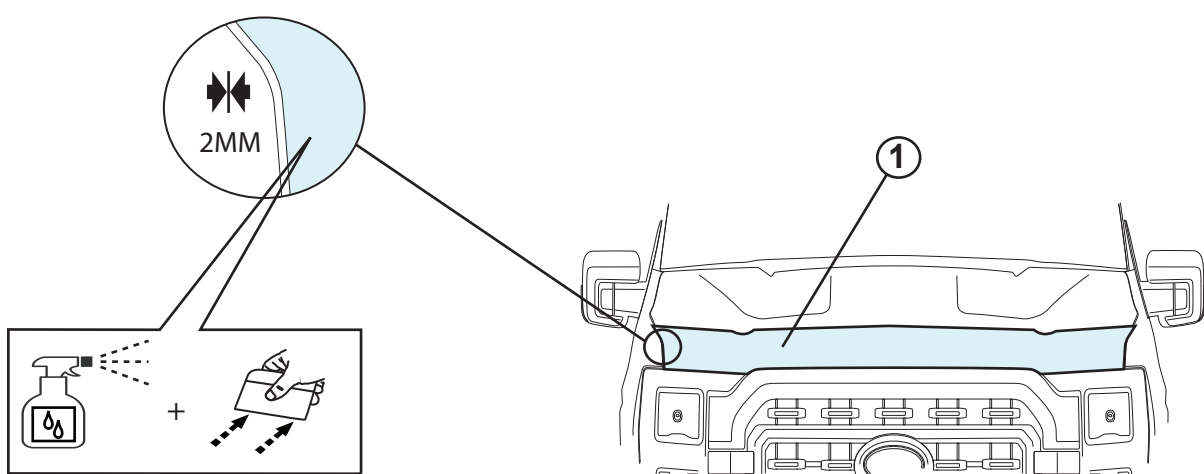
1



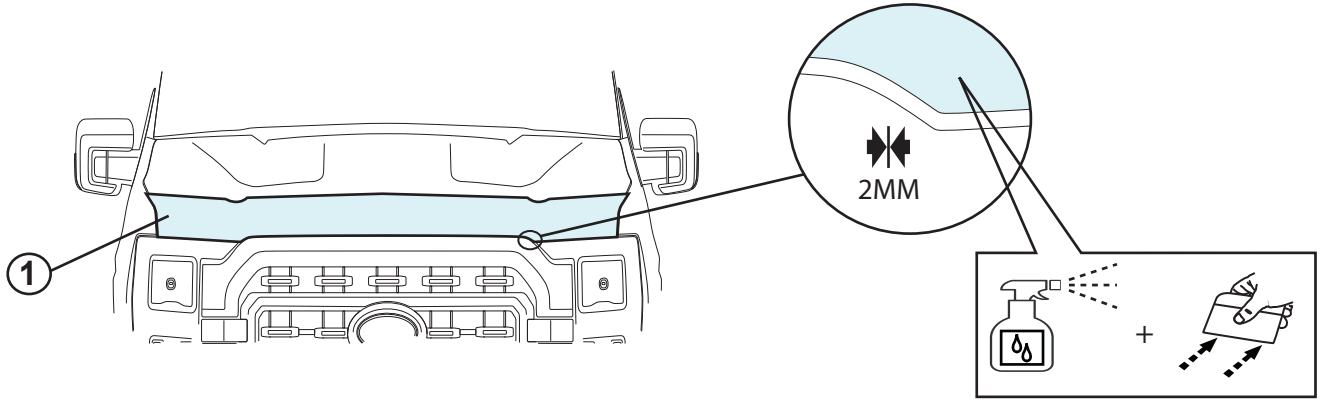
2



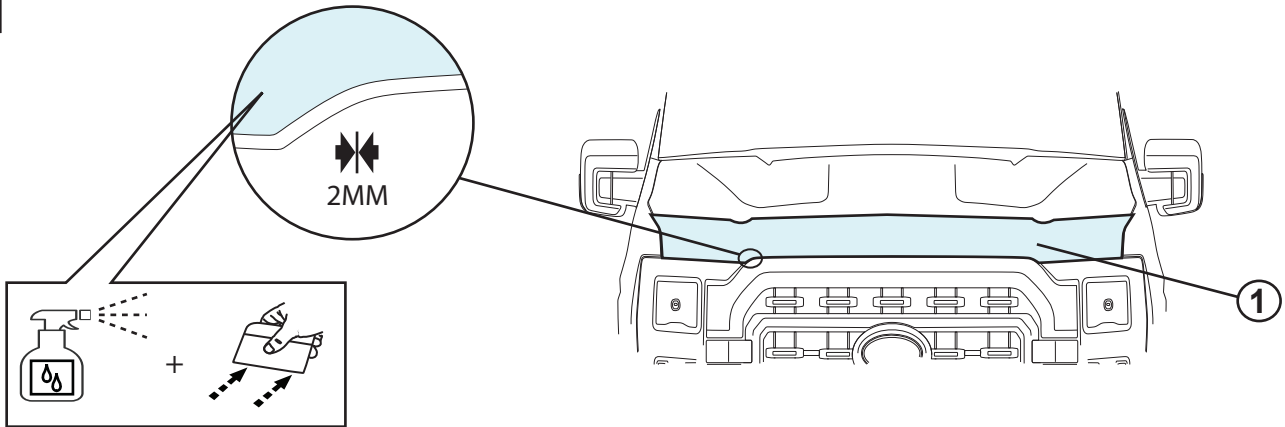
3



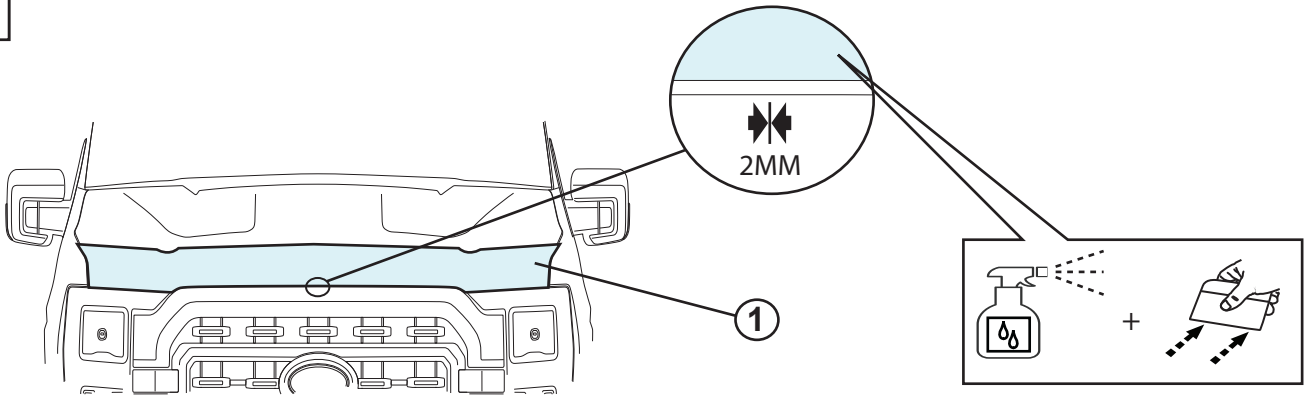
4



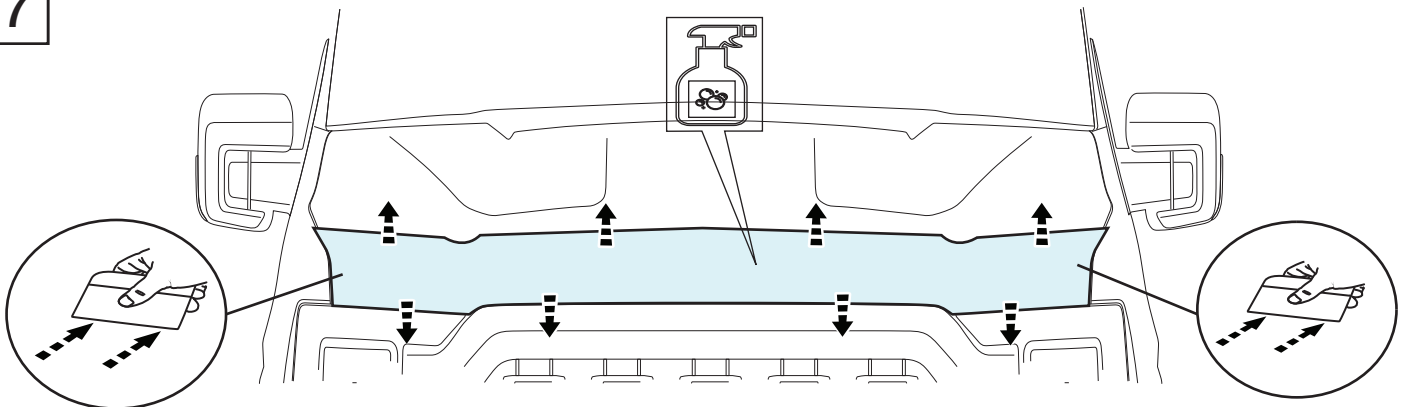
5

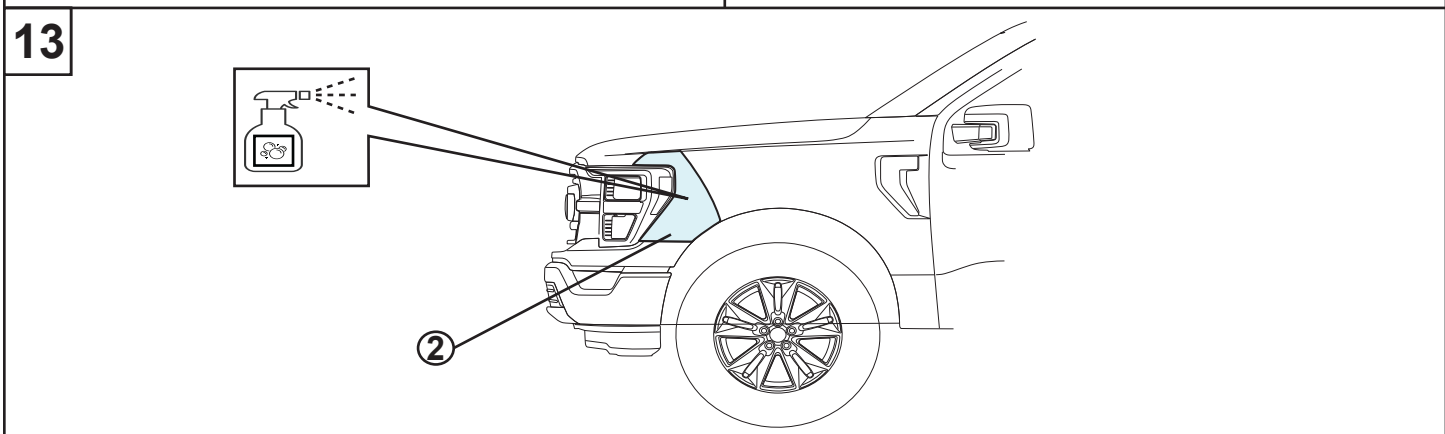
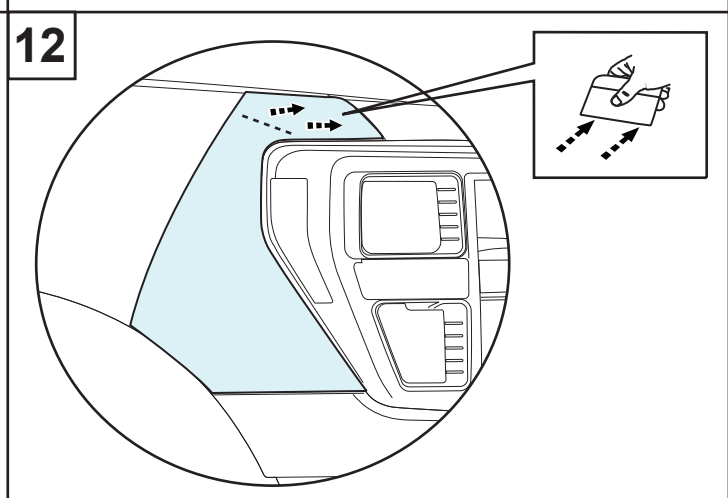
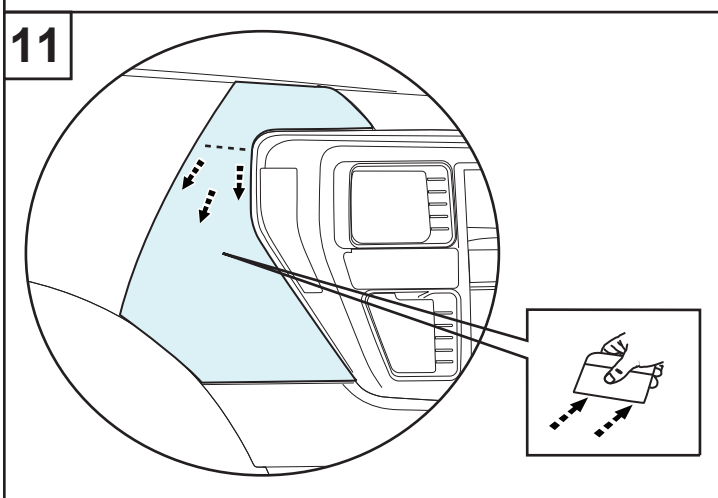
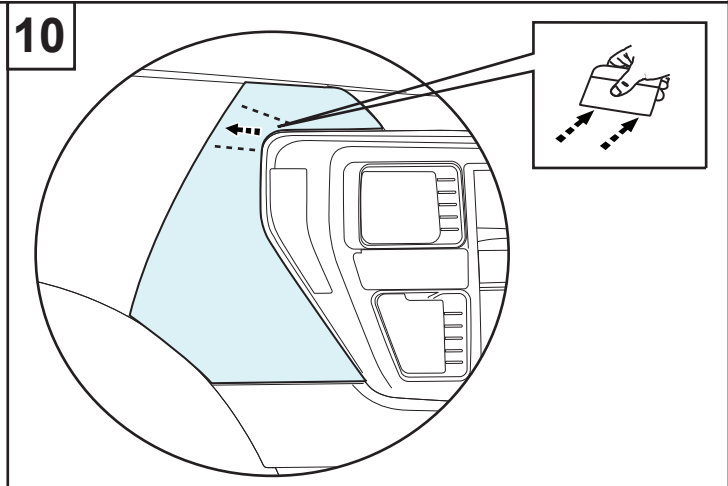
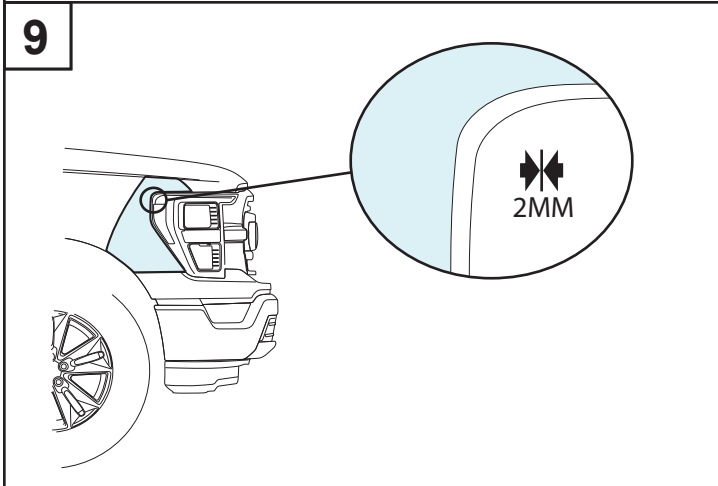
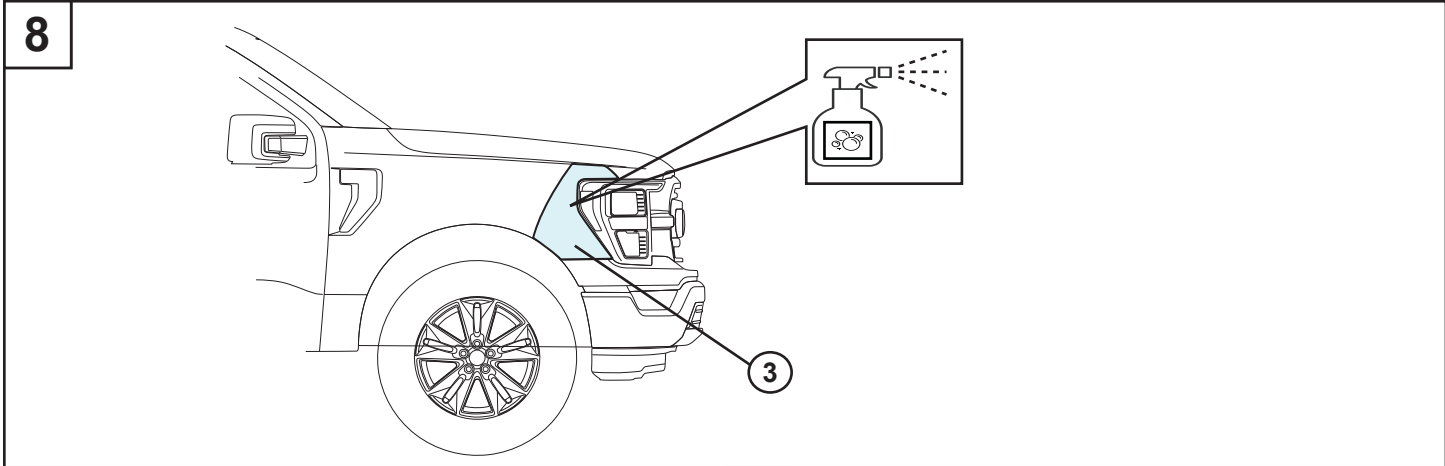


6

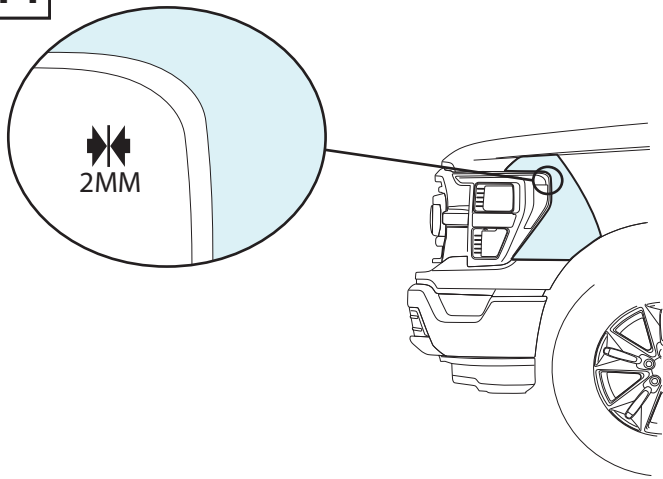


7

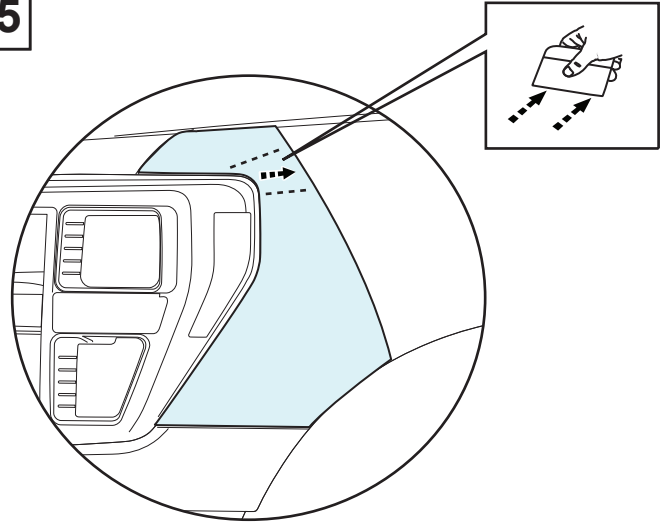




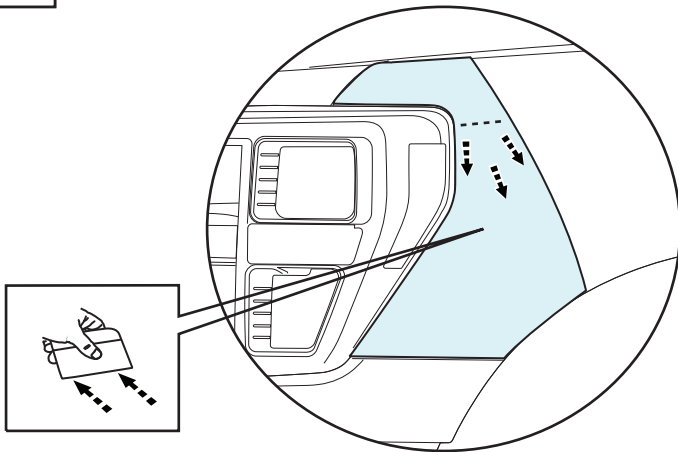
14



15



16



17

