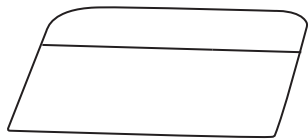
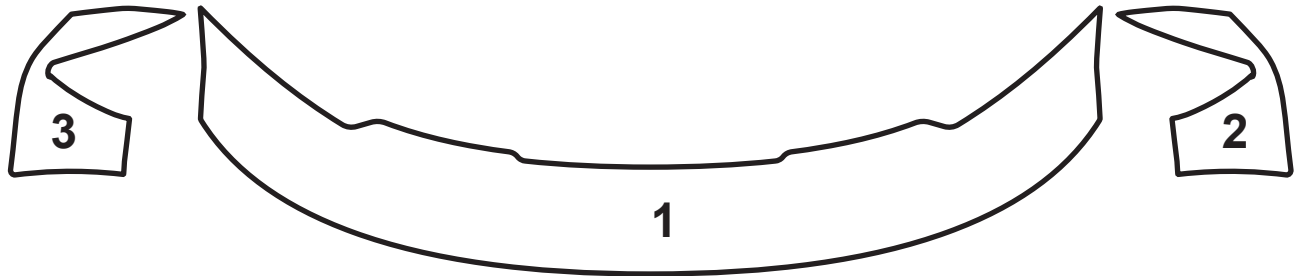


FORD EXPLORER

VRB5Z-2120000-A

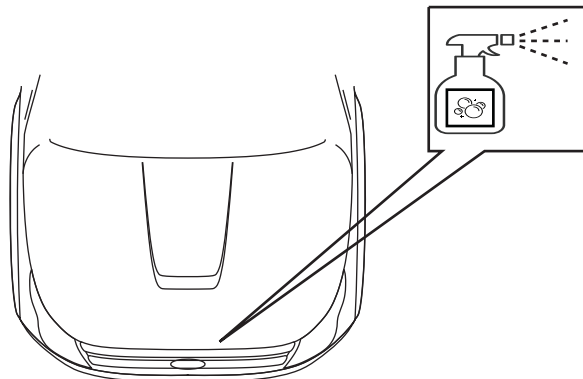
PAINT PROTECTION FILM INSTALLATION



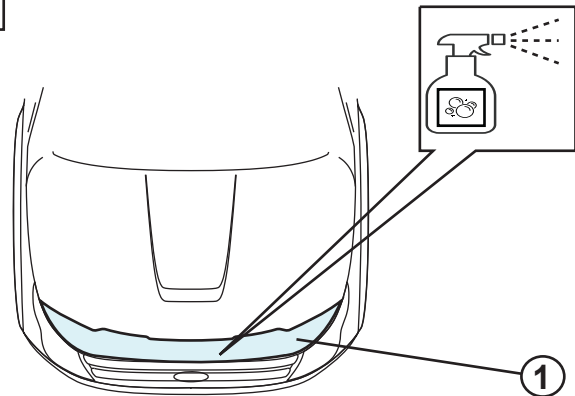
H₂O



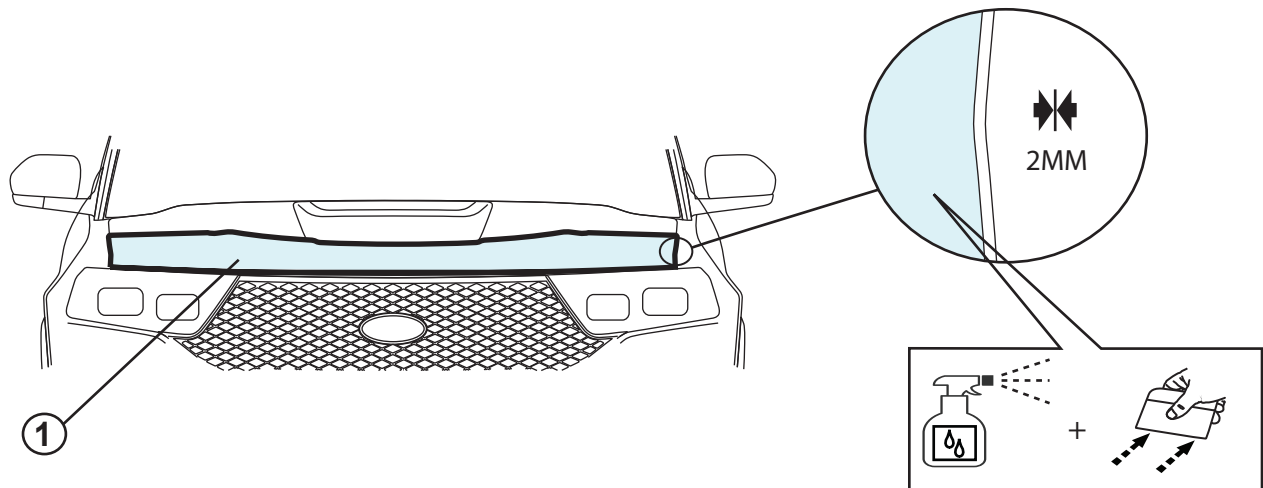
1



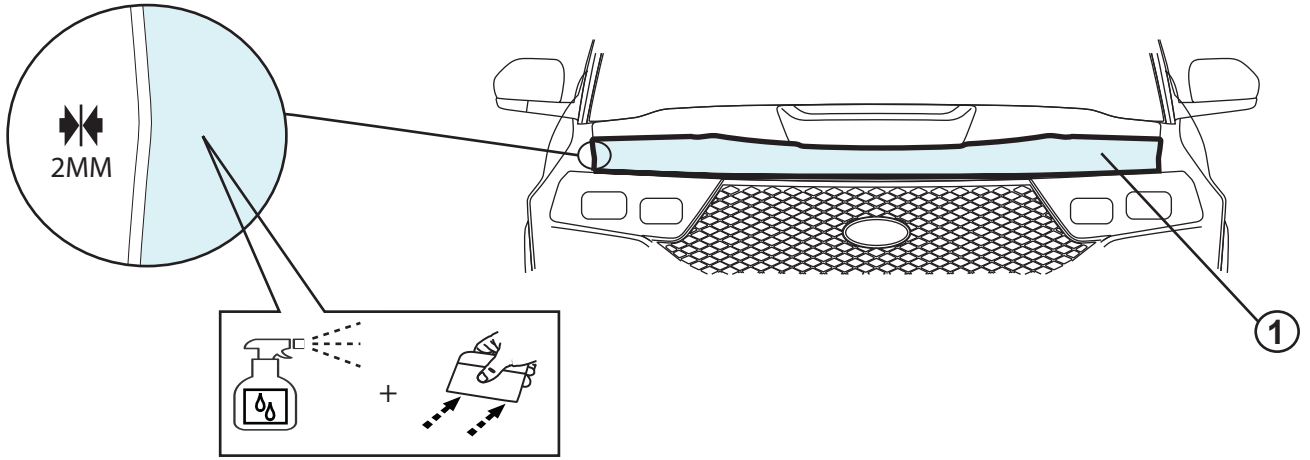
2



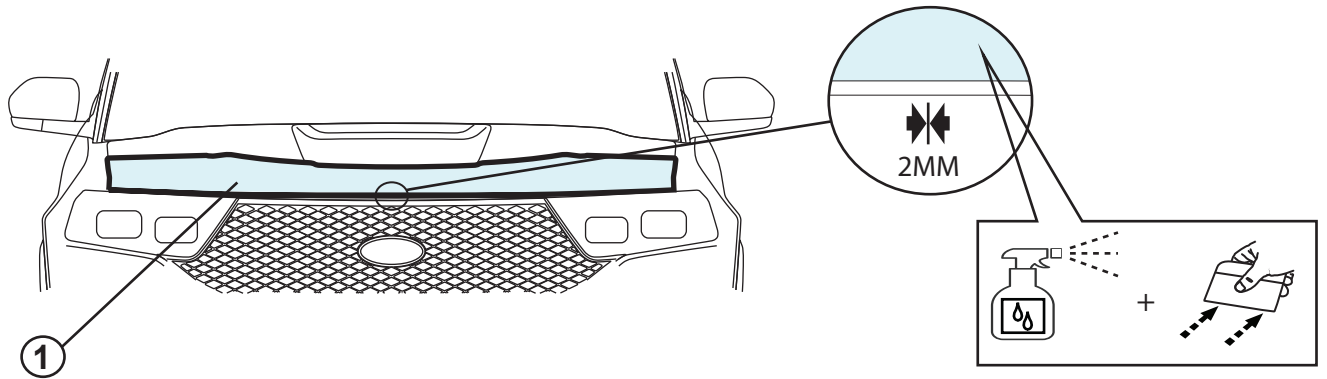
3



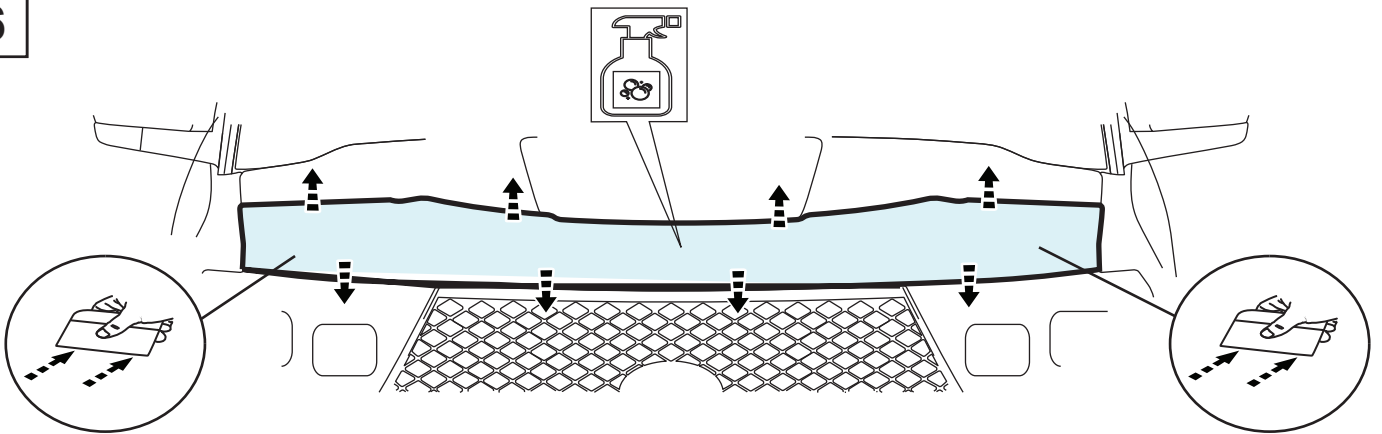
4



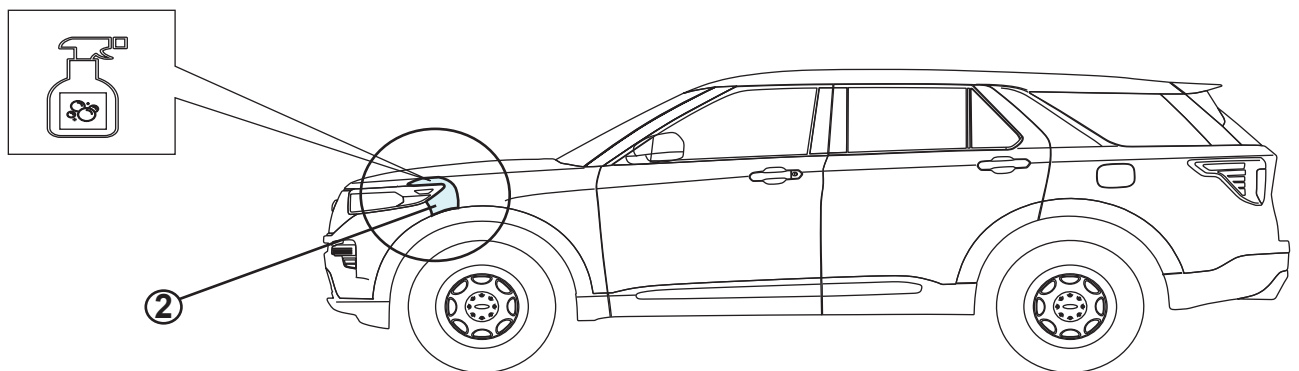
5

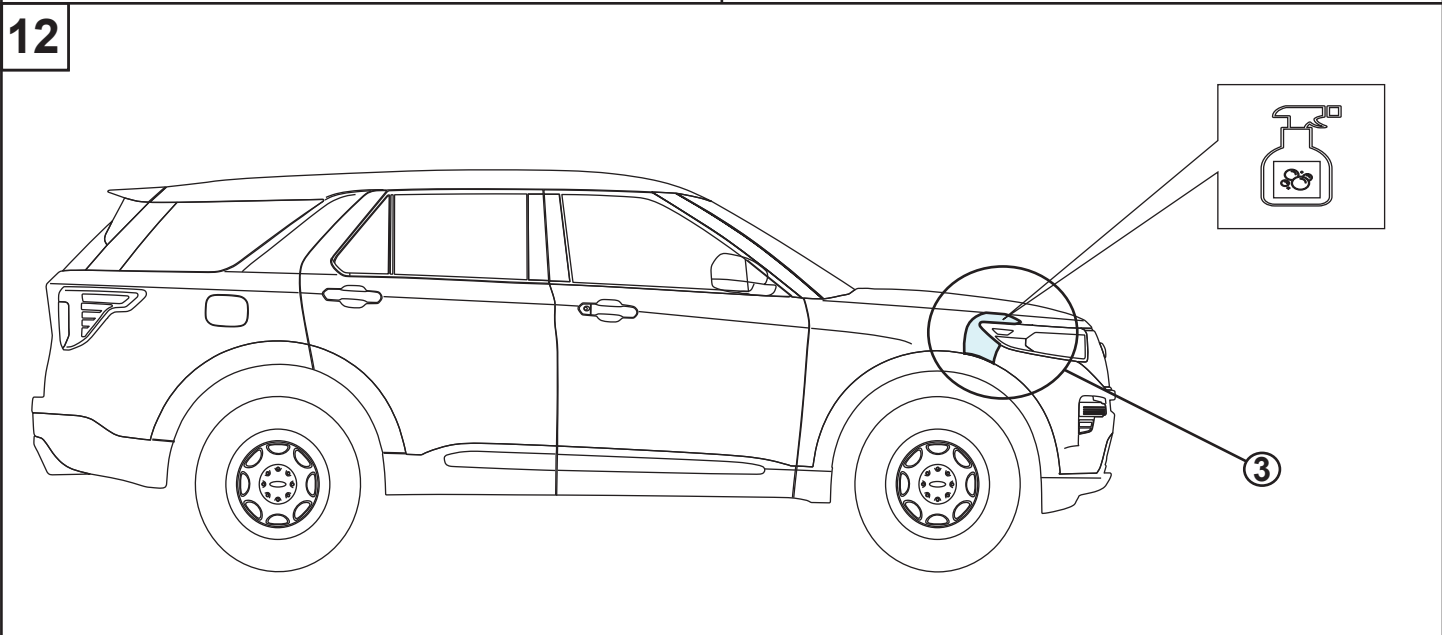
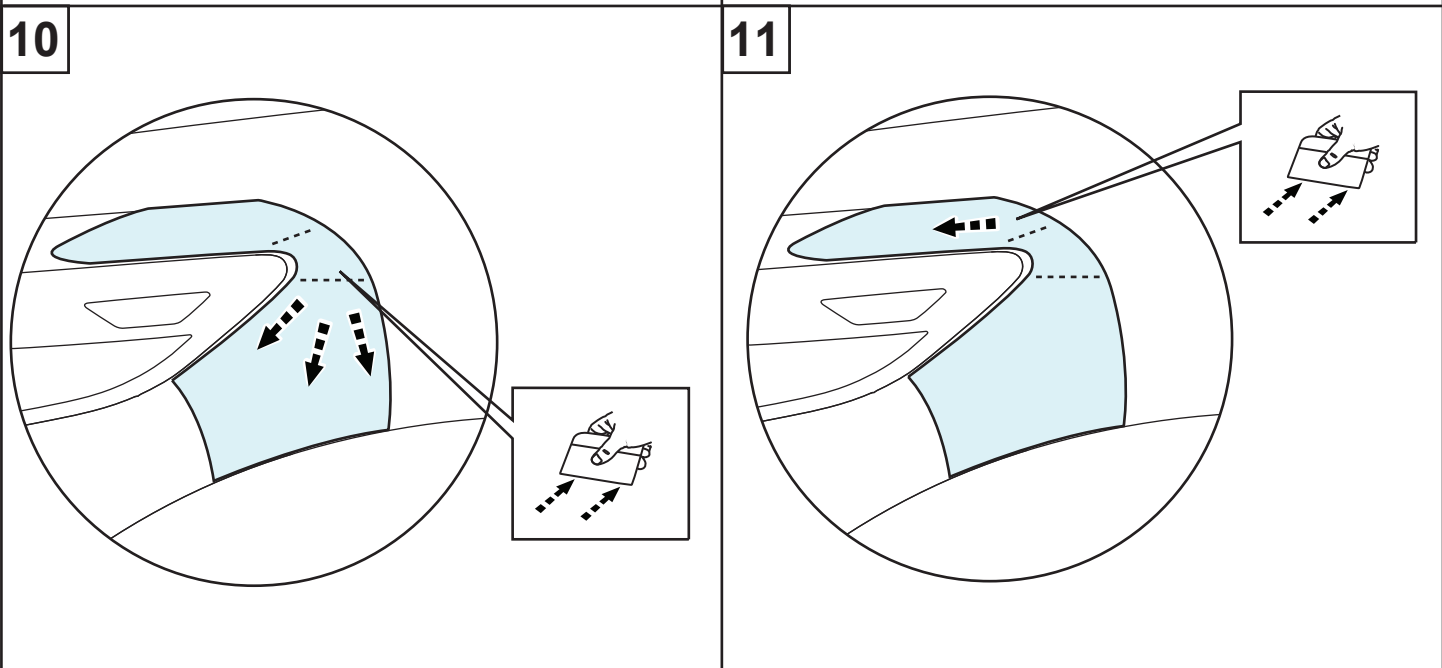
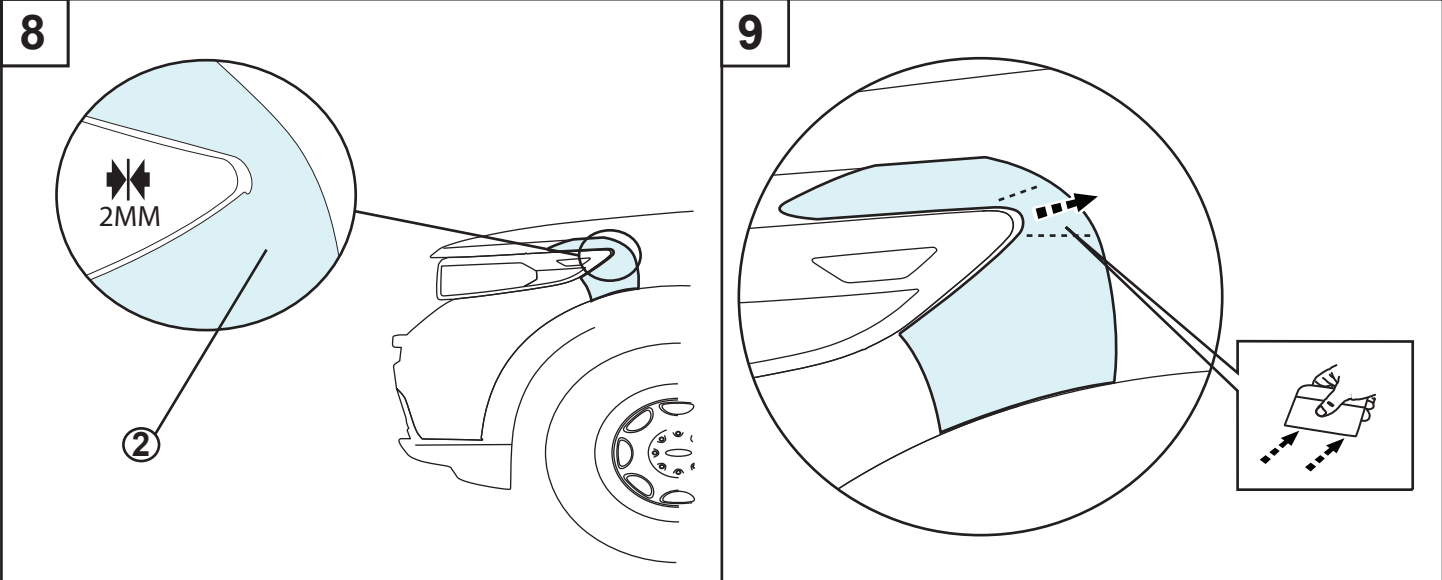


6

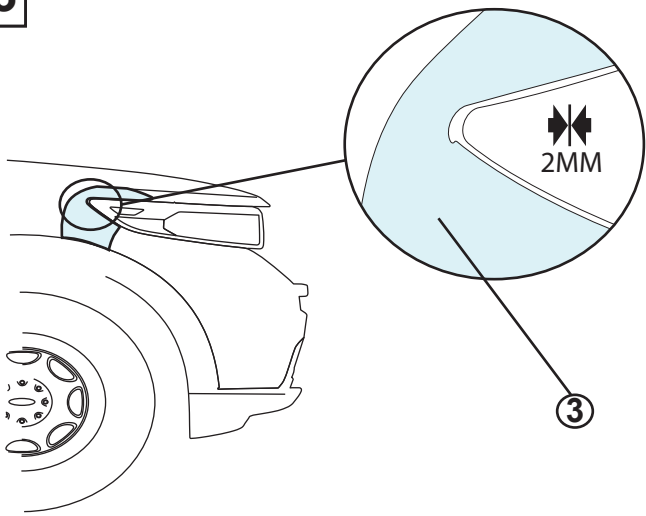


7

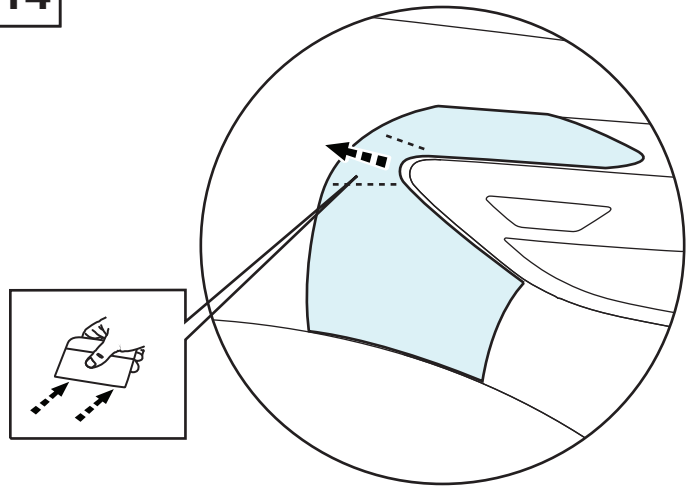




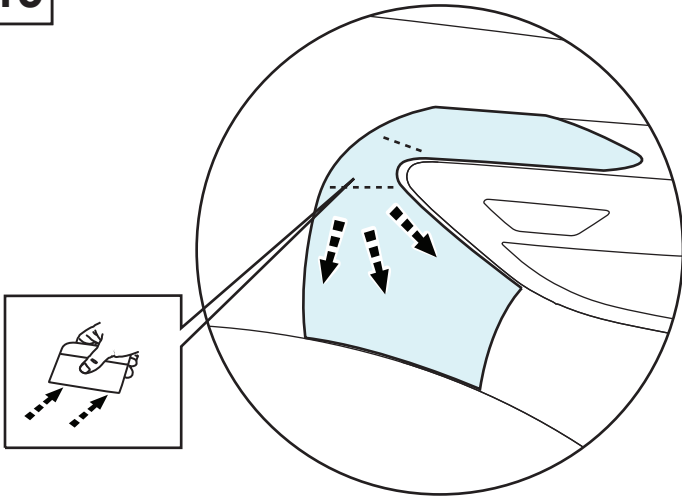
13



14



15



16

