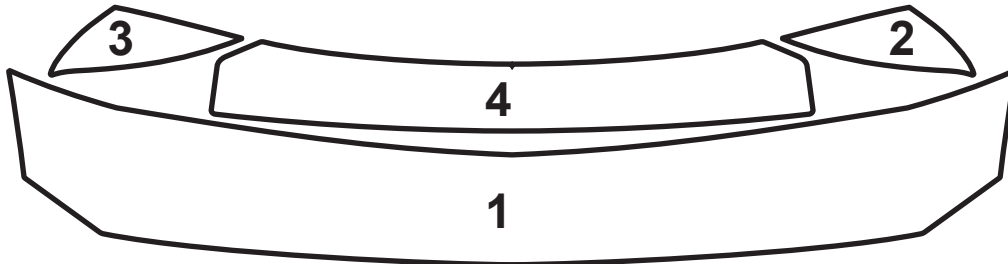


# FORD MUSTANG

VRR3Z-2120000-A

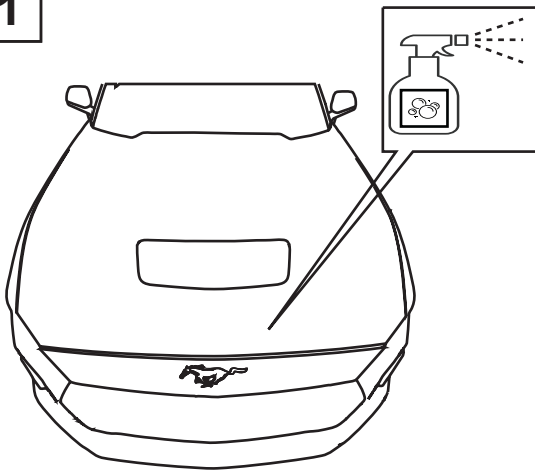
## PAINT PROTECTION FILM INSTALLATION



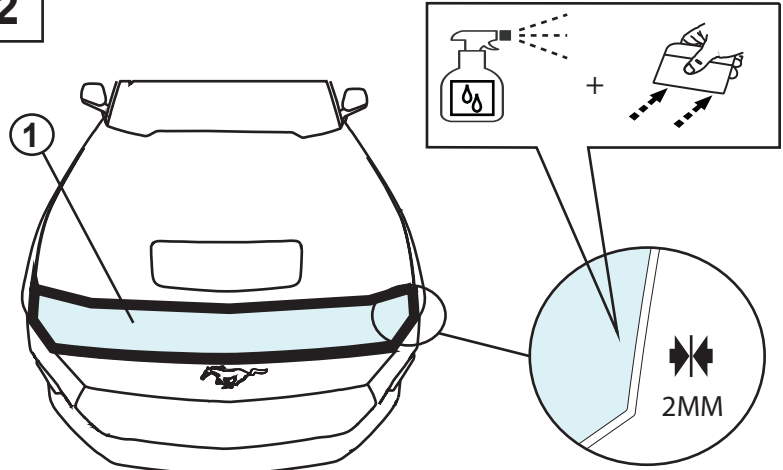
H<sub>2</sub>O



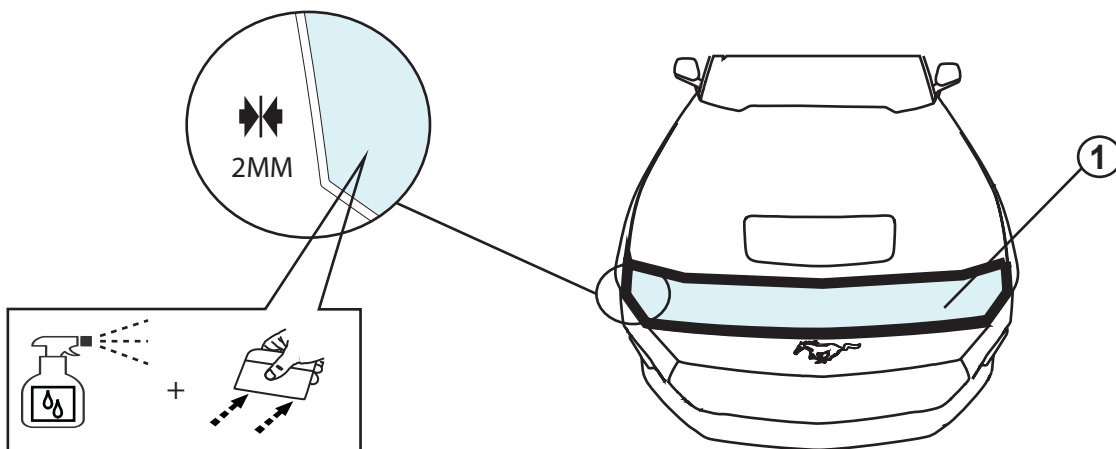
1



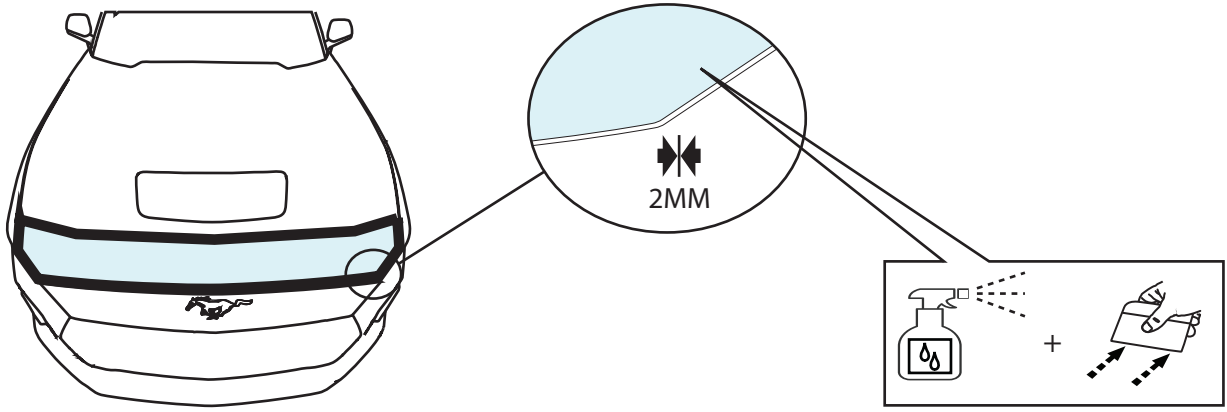
2



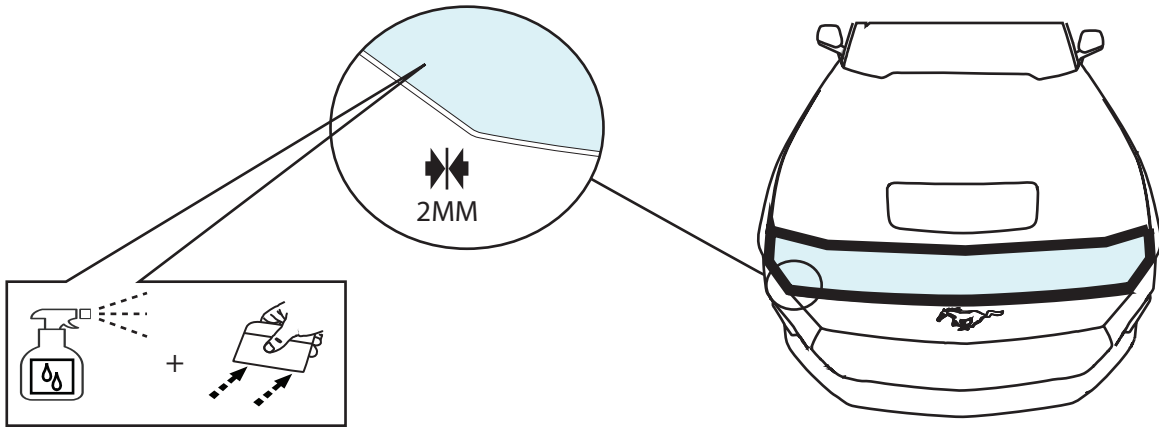
3



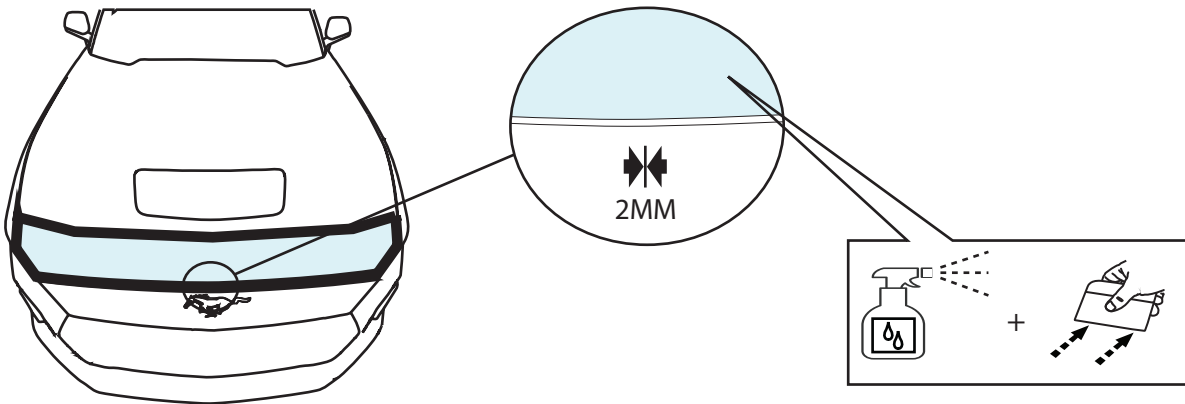
4



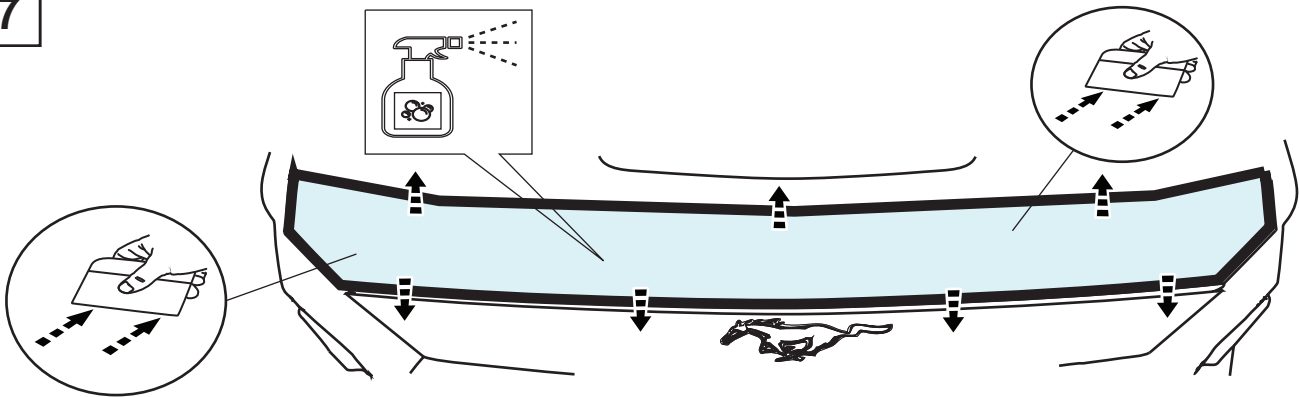
5

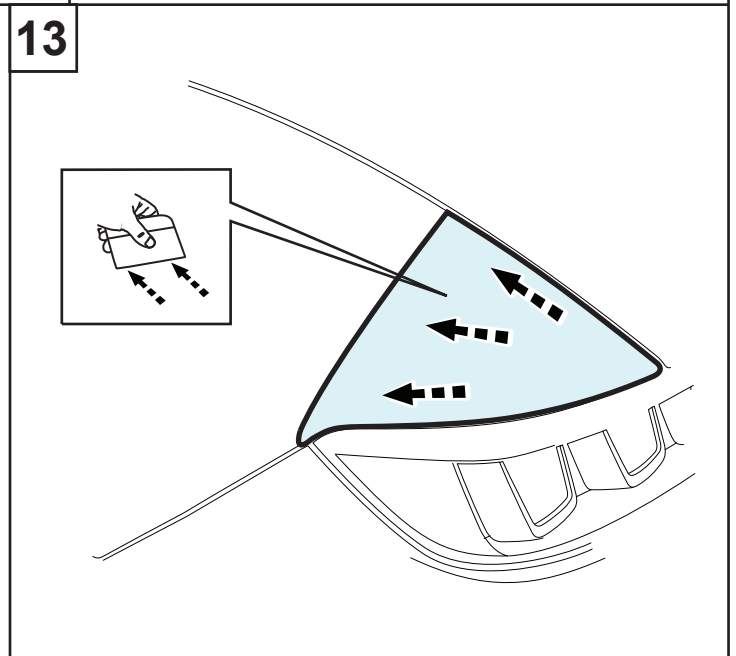
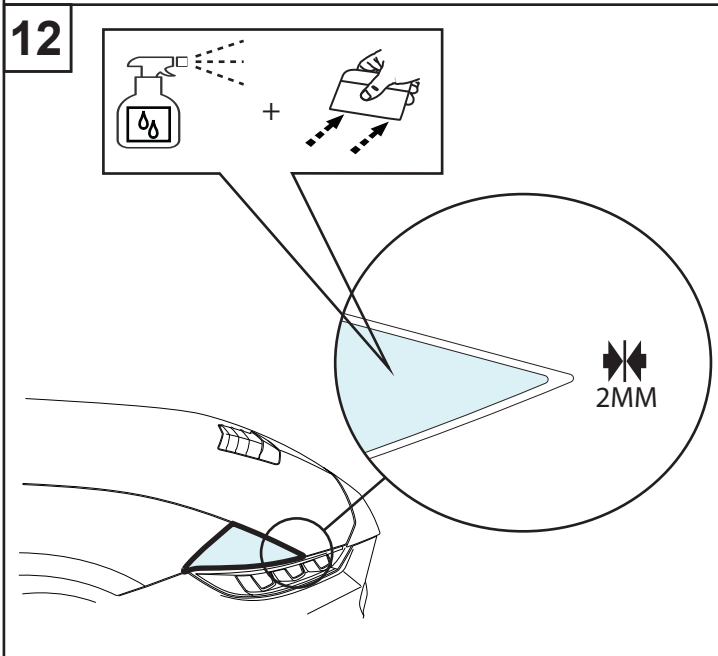
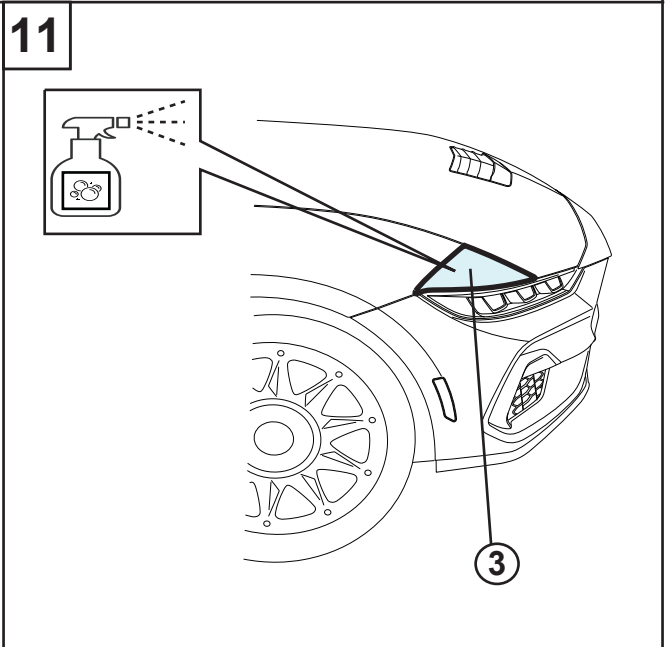
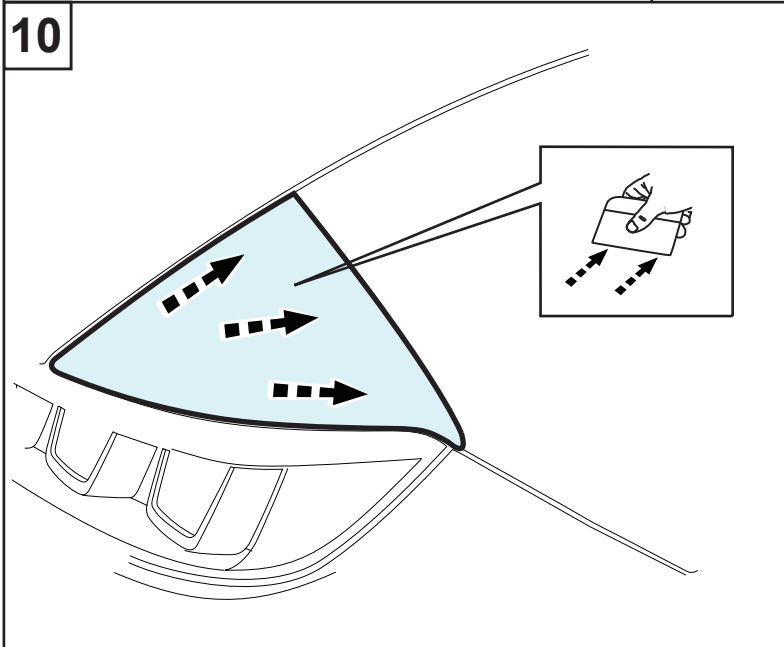
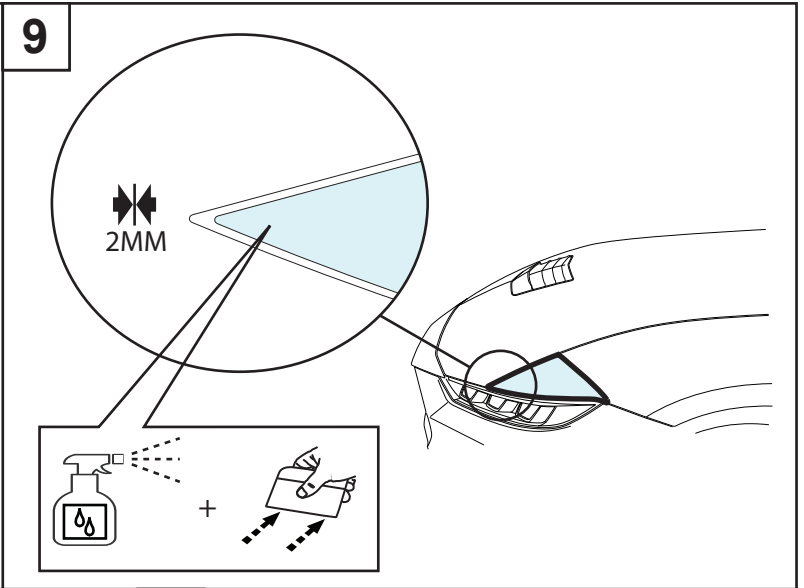
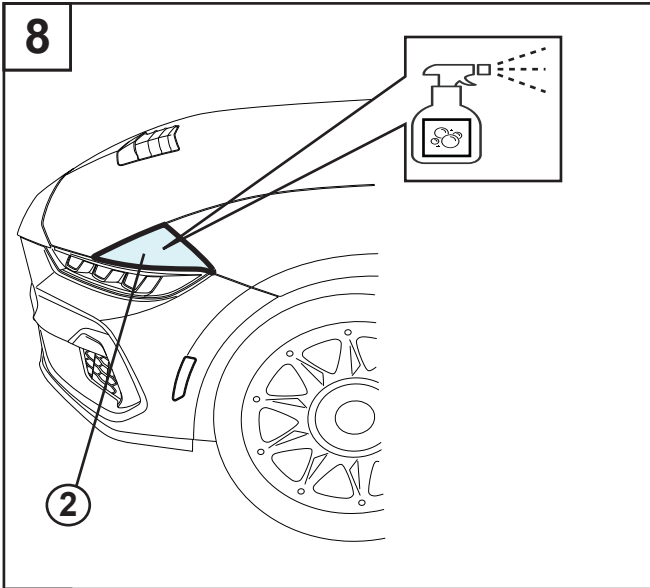


6

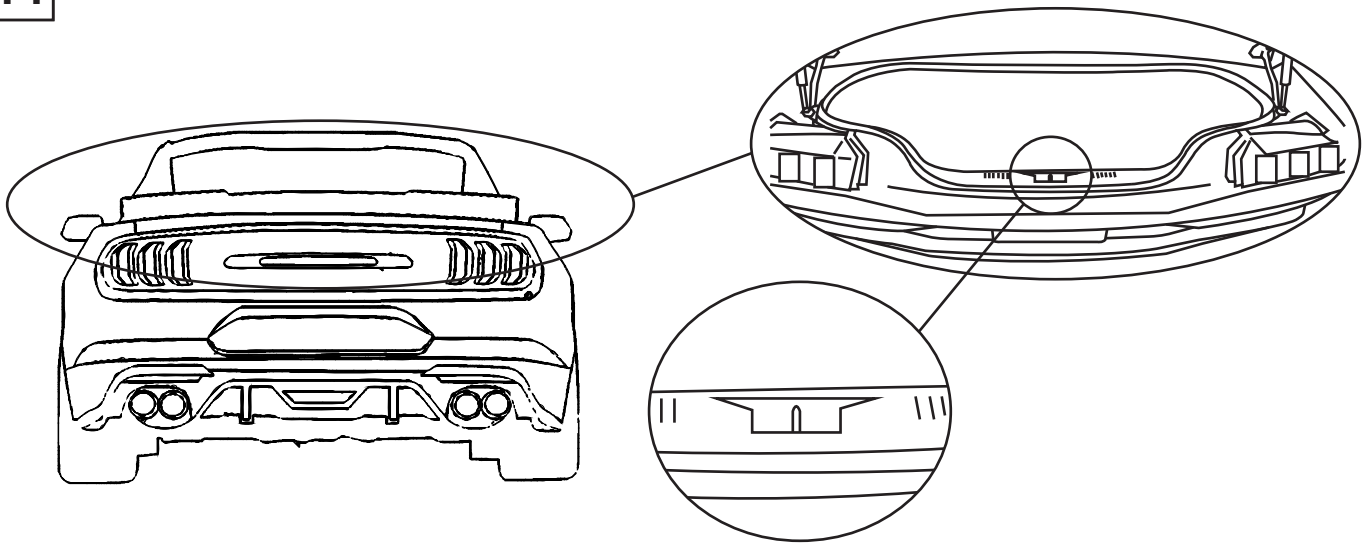


7

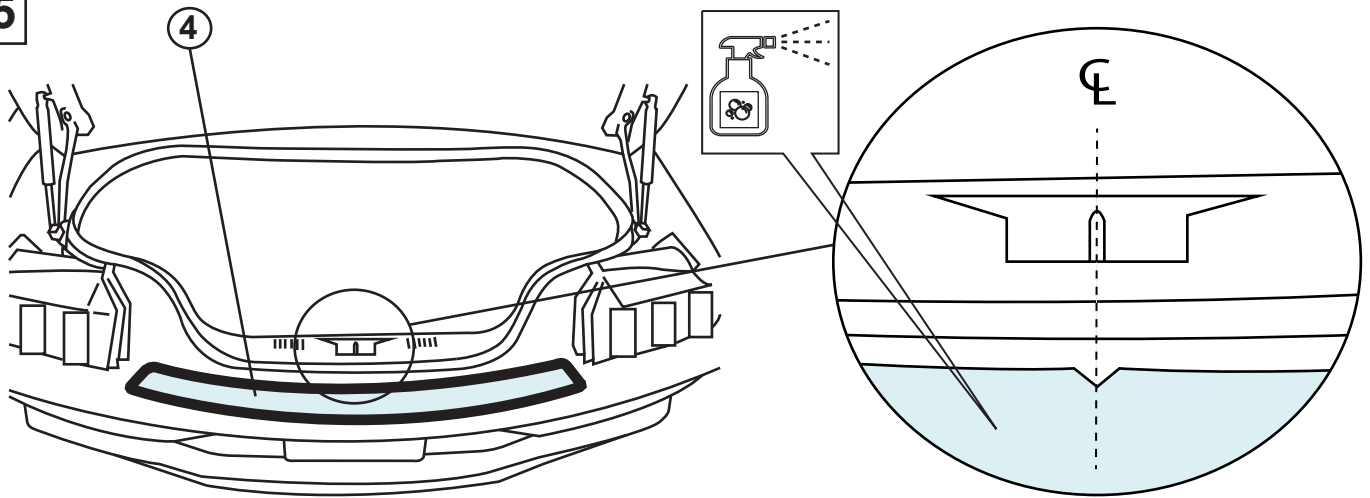




14



15



16

